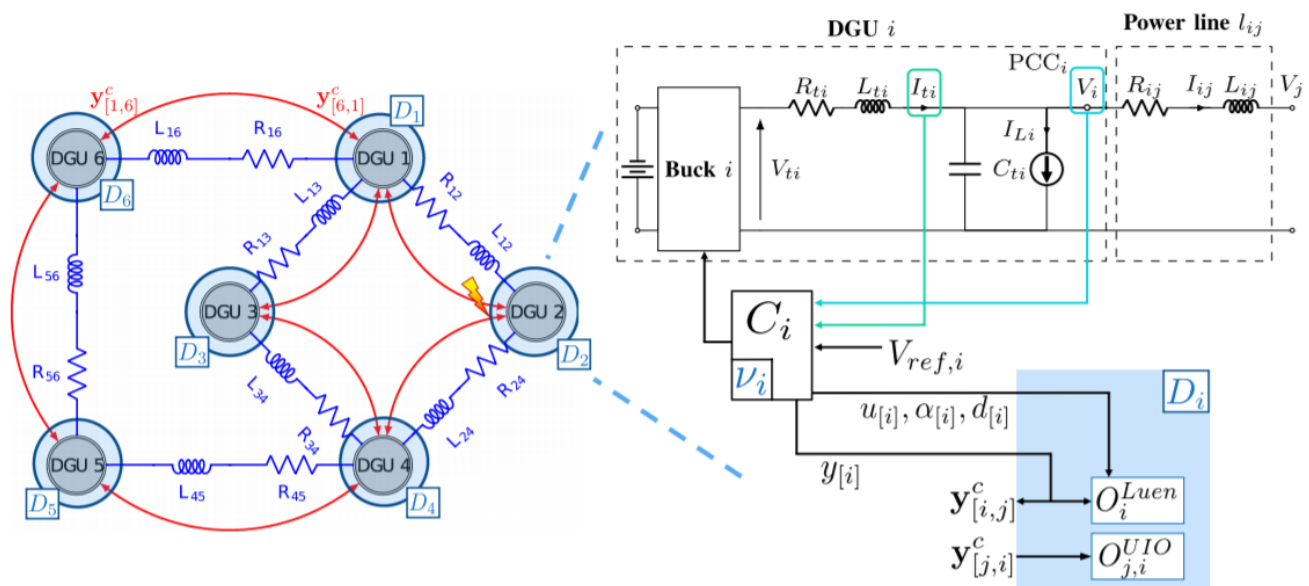


# PUBLICATIONS CONTENT DIGEST



September 2020

## CSS Publications Activities

**Vice-President**

**ANDREW ALLEYNE** *University of Illinois at Urbana-Champaign*  
<http://ieeecss.org/publications>

**Journal Editors**

## IEEE Transactions on Automatic Control

**ALESSANDRO ASTOLFI** *Imperial College London and University of Rome "Tor Vergata"*  
<http://ieeecss.org/publication/transactions-automatic-control>

## IEEE Transactions on Control Systems Technology

**ANDREA SERRANI** *Ohio State University*  
<http://ieeecss.org/publication/transactions-control-systems-technology>

## IEEE Transactions on Control of Network Systems

**JEFF SHAMMA** *King Abdullah University of Science and Technology*  
**ANNA SCAGLIONE** Deputy Editor-in-Chief *Arizona State University*  
<http://ieeecss.org/publication/transactions-control-network-systems>

## IEEE Control Systems Letters

**MARIA ELENA VALCHER** *University of Padua*  
<http://ieeecss.org/publication/control-systems-letters>

## IEEE Control Systems Magazine

**RODOLPHE SEPULCHRE** *University of Cambridge*  
<http://ieeecss.org/publication/ieee-control-systems-magazine>

**Electronics Editor**

## E-letter on Systems, Control and Signal Processing

**AHMAD TAHA** *University of Texas at San Antonio*  
<http://ieeecss.org/publication/e-letter>

**\*Submission and editorial instructions can be found on each publication's homepage**

For subscription to the monthly E-Letter, please send an empty email to  
[eletter-css-join@lists.it.utsa.edu](mailto:eletter-css-join@lists.it.utsa.edu)

# IEEE TRANSACTIONS ON AUTOMATIC CONTROL

A PUBLICATION OF THE IEEE CONTROL SYSTEMS SOCIETY



SEPTEMBER 2020

VOLUME 65

NUMBER 9

IETAA9

(ISSN 0018-9286)

SPECIAL ISSUE ON SECURITY AND PRIVACY OF DISTRIBUTED ALGORITHMS AND NETWORK SYSTEMS

## GUEST EDITORIAL

Guest Editorial: Special Issue on Security and Privacy of Distributed Algorithms and Network Systems .....	3725
..... <i>Z. Chen, F. Pasqualetti, J. He, P. Cheng, H. L. Trentelman, and F. Bullo</i>	

## PAPERS

Detection of Covert Cyber-Attacks in Interconnected Systems: A Distributed Model-Based Approach .....	3728
..... <i>A. Barboni, H. Rezaee, F. Boem, and T. Parisini</i>	
Secure State Estimation With Byzantine Sensors: A Probabilistic Approach .....	3742
..... <i>X. Ren, Y. Mo, J. Chen, and K. H. Johansson</i>	
Finite-Time Guarantees for Byzantine-Resilient Distributed State Estimation With Noisy Measurements .....	3758
..... <i>L. Su and S. Shahrampour</i>	
On the Stability of Unverified Transactions in a DAG-Based Distributed Ledger ....	3772
..... <i>P. Ferraro, C. King, and R. Shorten</i>	
An Attack-Resilient Pulse-Based Synchronization Strategy for General Connected Topologies .....	3784
..... <i>Z. Wang and Y. Wang</i>	
A Distributed Cyber-Attack Detection Scheme With Application to DC Microgrids .....	3800
..... <i>A. J. Gallo, M. S. Turan, F. Boem, T. Parisini, and G. Ferrari-Trecate</i>	
Actuator Security Indices Based on Perfect Undetectability: Computation, Robustness, and Sensor Placement .....	3816
..... <i>J. Milošević, A. Teixeira, K. H. Johansson, and H. Sandberg</i>	
Optimizing Attack Schedules Based on Energy Dispatch Over Two-Hop Relay Networks .....	3832
..... <i>R. Gan, J. Shao, Y. Xiao, H. Zhang, and W. X. Zheng</i>	
Novel Stealthy Attack and Defense Strategies for Networked Control Systems .....	3847
..... <i>Y. Mao, H. Jafarnejadsani, P. Zhao, E. Akyol, and N. Hovakimyan</i>	
Design of Privacy-Preserving Dynamic Controllers .....	3863
..... <i>Y. Kawano and M. Cao</i>	

## TECHNICAL NOTES

Almost Sure Stability of Nonlinear Systems Under Random and Impulsive Sequential Attacks .....	3879
..... <i>W. He, F. Qian, Q.-L. Han, and G. Chen</i>	
Privacy-Preserving Distributed Averaging via Homomorphically Encrypted Ratio Consensus .....	3887
..... <i>C. N. Hadjicostis and A. D. Domínguez-García</i>	
An Online Approach to Physical Watermark Design .....	3895
..... <i>H. Liu, Y. Mo, J. Yan, L. Xie, and K. H. Johansson</i>	

(Contents Continued on Back Cover)



*(Contents Continued from Front Cover)*

---

Centralized Versus Decentralized Detection of Attacks in Stochastic Interconnected Systems . . . . .	
..... <i>R. Anguluri, V. Katewa, and F. Pasqualetti</i>	3903
Malicious Attacks on State Estimation Against Distributed Control Systems . . . . .	
..... <i>A.-Y. Lu and G.-H. Yang</i>	3911
Optimal Partial Feedback Attacks in Cyber-Physical Power Systems . . . . .	
..... <i>G. Wu, G. Wang, J. Sun, and J. Chen</i>	3919
Stealthy Actuator Signal Attacks in Stochastic Control Systems: Performance and Limitations . . . . .	
..... <i>C. Fang, Y. Qi, J. Chen, R. Tan, and W. X. Zheng</i>	3927
Fully Distributed Resilient State Estimation Based on Distributed Median Solver . . . . .	
..... <i>J. G. Lee, J. Kim, and H. Shim</i>	3935
Switching-Like Event-Triggered Control for Networked Control Systems Under Malicious Denial of Service Attacks . . . . .	
..... <i>C. Peng and H. Sun</i>	3943
Secure and Private Implementation of Dynamic Controllers Using Semihomomorphic Encryption . . . . .	
..... <i>C. Murguia, F. Farokhi, and I. Shames</i>	3950

---

# IEEE TRANSACTIONS ON CONTROL SYSTEMS TECHNOLOGY



A PUBLICATION OF THE IEEE CONTROL SYSTEMS SOCIETY

SEPTEMBER 2020

VOLUME 28

NUMBER 5

IETTE2

(ISSN 1063-6536)

---

REGULAR PAPERS

A Bayesian Knock Event Controller .....	<i>J. C. Peyton Jones, S. Shayestehmanesh, and J. Frey</i>	1627
Fuel Cell Thermal Management: Modeling, Specifications, and Correct-by-Construction Control Synthesis .....	<i>L. Yang, A. Karnik, B. Pence, M. T. B. Waez, and N. Ozay</i>	1638
Economic Optimal Control for Minimizing Fuel Consumption of Heavy-Duty Trucks in a Highway Environment ...	<i>J. Borek, B. Groelke, C. Earnhardt, and C. Vermillion</i>	1652
Model-Predictive Control of Servo-Pump Driven Injection Molding Machines .....	<i>C. Froehlich, W. Kemmetmüller, and A. Kugi</i>	1665
Closed-Loop Identification for Model Predictive Control of HVAC Systems: From Input Design to Controller Synthesis .....	<i>P. E. Valenzuela, A. Ebadat, N. Everitt, and A. Parisio</i>	1681
Equivalence Among Flat Filters, Dirty Derivative-Based PID Controllers, ADRC, and Integral Reconstructor-Based Sliding Mode Control .....	<i>H. Sira-Ramírez, E. W. Zurita-Bustamante, and C. Huang</i>	1696
Cabin and Battery Thermal Management of Connected and Automated HEVs for Improved Energy Efficiency Using Hierarchical Model Predictive Control .....	<i>M. R. Amini, H. Wang, X. Gong, D. Liao-McPherson, I. Kolmanovsky, and J. Sun</i>	1711
The Effect of Controller Design on Delayed Bilateral Teleoperation Performance: An Experimental Comparison ....	<i>R. Beerens, D. Heck, A. Saccon, and H. Nijmeijer</i>	1727
Control Design for UAV Quadrotors via Embedded Model Control .....	<i>M. A. Lotufo, L. Colangelo, and C. Novara</i>	1741
Sensor Reduction of Variable Stiffness Actuated Robots Using Moving Horizon Estimation .....	<i>O. Adiyatov, B. Rakhim, A. Zhakatayev, and H. A. Varol</i>	1757
Bilateral Teleoperation of Multiple Robots Under Scheduling Communication .....	<i>Y. Li, K. Liu, W. He, Y. Yin, R. Johansson, and K. Zhang</i>	1770
A Comprehensive Analytical Tool for Control Validation of Fixed-Wing Unmanned Aircraft .....	<i>J. M. Fry and M. Farhood</i>	1785

(Contents Continued on Back Cover)



---

Stability Analysis of a DC MicroGrid for a Smart Railway Station Integrating Renewable Sources .....	1802
..... <i>F. Perez, A. Iovine, G. Damm, L. Galai-Dol, and P. F. Ribeiro</i>	
A Medium-Term Conflict Detection and Resolution Method for Open Low-Altitude City Airspace Based on Temporally and Spatially Integrated Strategies .....	1817
..... <i>W. Yang, J. Tang, R. He, and Y. Chen</i>	
Rapid Prototyping of Low-Complexity Orchestrator Targeting CyberPhysical Systems: The Smart-Thermostat Usecase .....	1831
..... <i>C. Marantos, K. Siozios, and D. Soudris</i>	
Minimum Resultant Vehicle Force Optimal State Feedback Control for Obstacle Avoidance .....	1846
..... <i>A. S. P. Singh and O. Nishihara</i>	
Balancing-Aware Charging Strategy for Series-Connected Lithium-Ion Cells: A Nonlinear Model Predictive Control Approach .....	1862
..... <i>A. Pozzi, M. Zambelli, A. Ferrara, and D. M. Raimondo</i>	
Distributed Energy and Thermal Management of a 48-V Diesel Mild Hybrid Electric Vehicle With Electrically Heated Catalyst .....	1878
..... <i>Y. Liu, M. Canova, and Y.-Y. Wang</i>	
Optimization Process for Polynomial Motion Profiles to Achieve Fast Movement With Low Vibration .....	1892
..... <i>D. Lee and C.-W. Ha</i>	
Modified Line-of-Sight Guidance Law With Adaptive Neural Network Control of Underactuated Marine Vehicles With State and Input Constraints .....	1902
..... <i>R. Rout, R. Cui, and Z. Han</i>	
Aggregate Power Control of Heterogeneous TCL Populations Governed by Fokker–Planck Equations .....	1915
..... <i>J. Zheng, G. Laparra, G. Zhu, and M. Li</i>	
Laser Sintering Control for Metal Additive Manufacturing by PDE Backstepping .....	1928
..... <i>S. Koga, M. Krstic, and J. Beaman</i>	

---

BRIEF PAPERS

A Model-Based Approach to the Estimation and Control of a Continuously Variable Transmission .....	1940
..... <i>W. Dunham, J. Seok, A. Girard, I. Kolmanovsky, W. Chen, and E. Dai</i>	
Optimal Inversion-Based Iterative Learning Control for Overactuated Systems .....	1948
..... <i>D. Yoon, X. Ge, and C. E. Okwudire</i>	
Probability-Based Optimal Control Design for Soft Landing of Short-Stroke Actuators .....	1956
..... <i>E. Moya-Lasheras, E. Ramirez-Laboreo, and C. Sagues</i>	
Extended-Braking-Stiffness Estimation Under Varying Road-Adherence Conditions .....	1964
..... <i>M. Aguado-Rojas, W. Pasillas-Lépine, and A. Loria</i>	
Time-Scale Transformed Iterative Learning Control for a Class of Nonlinear Systems With Uncertain Trial Duration .....	1972
..... <i>P. M. Sammons, D. Hoelzle, and K. Barton</i>	
Robust Visual Servoing Control for Ground Target Tracking of Quadrotors .....	1980
..... <i>W. Zhao, H. Liu, F. L. Lewis, K. P. Valavanis, and X. Wang</i>	
A Codesign Methodology for Constrained Networked Systems With Frequency Specifications .....	1988
..... <i>Y. Long, J. H. Park, and D. Ye</i>	
Piezoelectric Actuators with Uncertainty: Observer-Based Hysteresis Compensation and Joint Stability Analysis ....	1997
..... <i>S. F. Alem, I. Izadi, F. Sheikholeslam, and M. Ekramian</i>	
Coordinated Path-Following Control for Multiple Autonomous Vehicles With Communication Time Delays .....	2005
..... <i>D.-L. Chen and G.-P. Liu</i>	
Event-Triggered Approach to Dynamic State Estimation of a Synchronous Machine Using Cubature Kalman Filter .....	2013
..... <i>M. Kooshkbaghi, H. J. Marquez, and W. Xu</i>	
Single Landmark Distance-Based Navigation .....	2021
..... <i>T.-M. Nguyen, Z. Qiu, M. Cao, T. H. Nguyen, and L. Xie</i>	
Model-Optimized Dispatch for Closed-Loop Power Control of Waked Wind Farms ...	2029
..... <i>J. Kazda and N. A. Cutululis</i>	
Distributed Dynamic Process Monitoring Based on Minimal Redundancy Maximal Relevance Variable Selection and Bayesian Inference .....	2037
..... <i>K. Zhong, M. Han, T. Qiu, B. Han, and Y.-W. Chen</i>	
Data-Driven Open-Set Fault Classification of Residual Data Using Bayesian Filtering .....	2045
..... <i>D. Jung</i>	
Validating Feedback Control to Meet Stiffness Requirements in Additive Manufacturing .....	2053
..... <i>K. Garanger, T. Khamvilai, and E. Feron</i>	
Identification of Network Dynamics and Disturbance for a Multizone Building .....	2061
..... <i>T. Zeng and P. Barooah</i>	
Energy-Driven-Damper (EDD): Comfort-Oriented Semiactive Suspensions Optimized From an Energy Perspective ...	2069
..... <i>Z. Li, W. Sun, and H. Gao</i>	

---

# UPCOMING CONFERENCES



## Conference on Decision and Control CDC 2020

**December 8–11, Jeju Island, Republic of Korea**

**Initial Paper Submissions to L-CSS with CDC Option Due:**

~~March 17, 2020 (Passed)~~

**Invited Session Proposals Due:**

~~March 24, 2020 (Passed)~~

**Initial Paper Submissions Due:**

~~March 31, 2020 (Passed)~~

**Workshop Proposals Due:**

~~May 1, 2020 (Passed)~~

**Paper and Workshop Decision Notification:**

mid-July, 2020

**Accepted Papers Due:**

September 10, 2020

<http://cdc2020.ieeecss.org/>



# American Control Conference **ACC 2021**

**May 26–28, New Orleans, Louisiana, USA**

**Manuscript Submission Deadline**  
September 14, 2020

**Acceptance/Rejection Notice**  
January 24, 2021

**Final Manuscript Submission Deadline**  
March 15, 2021

<http://acc2021.a2c2.org/>





Conference on  
Control Technology and Applications  
**CCTA 2021**

**August 8–11, San Diego, USA**

**Initial Submissions**

January 19, 2021

**Decision Notification and Registration Opens**

April 19, 2021

**Final Submissions**

May 24, 2021

<https://ccta2021.ieeecss.org/>



Conference on Decision and Control  
**CDC 2021**

**December 13–15, Austin, USA**